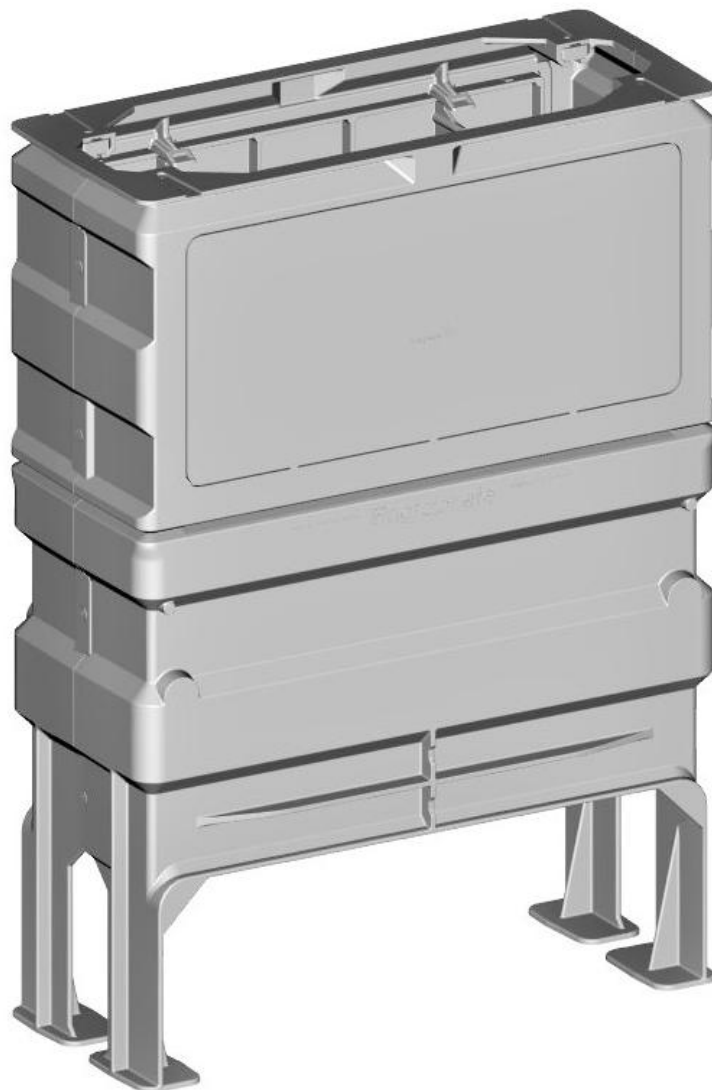


Installation Instructions

Pedestal for FDC L

EK265 2.0



Contents

1	General information	3
2	Safety information	3
3	Product description.....	4
3.1	Dimensions.....	4
3.2	Technical data	4
4	Scope of delivery	5
5	Required tools	5
6	Installation	6
6.1	Digging the foundation pit.....	6
6.2	Inserting the pedestal	6
6.3	Inserting the pipe bundles/cables	6
6.4	Backfilling the foundation pit.....	7
7	Installation of the predetermined breaking point retrofit kit	8
7.1	Opening the front plate	9
7.2	Installation of the predetermined breaking point connecting plate	9
8	Order data and accessories	10
9	Material defects	10
10	Recycling.....	10
11	Cleaning, repainting	10
12	Quality management	10
13	Disclaimer/Warranty	10
14	Contact.....	11

1 General information

These installation instructions form an integral part of the delivery.



Note!

Any person involved in the installation, operation, maintenance and repair of the product must first have read and understood these instructions and follow them precisely. We accept no liability for damage and operating malfunctions as a result of failure to comply with these instructions.

In the interest of further development, we reserve the right to change individual assemblies and accessories as considered necessary for enhanced safety and performance improvements, while preserving the main features.

The copyright of these instructions remains with Langmatz GmbH.

2 Safety information

The product complies with the state-of-the-art technology at the time of printing and is delivered in an operationally safe condition. Unauthorised modifications, particularly to safety-related parts, are prohibited.

Langmatz GmbH warns against the misuse of the product.

The operator is responsible for installing, operating and maintaining the fixtures.

The operator is responsible for the following:

- Preventing danger to life and limb of users and third parties,
- Ensuring safe operation of the system,
- Preventing downtime and environmental impact due to incorrect handling,
- Ensuring that protective clothing is worn when working with or on the product.

Use of a damaged product is prohibited. Please contact the hotline (see reverse).



Note!

The relevant occupational safety regulations must be adhered to during installation, operation and repair work.

3 Product description

3.1 Dimensions

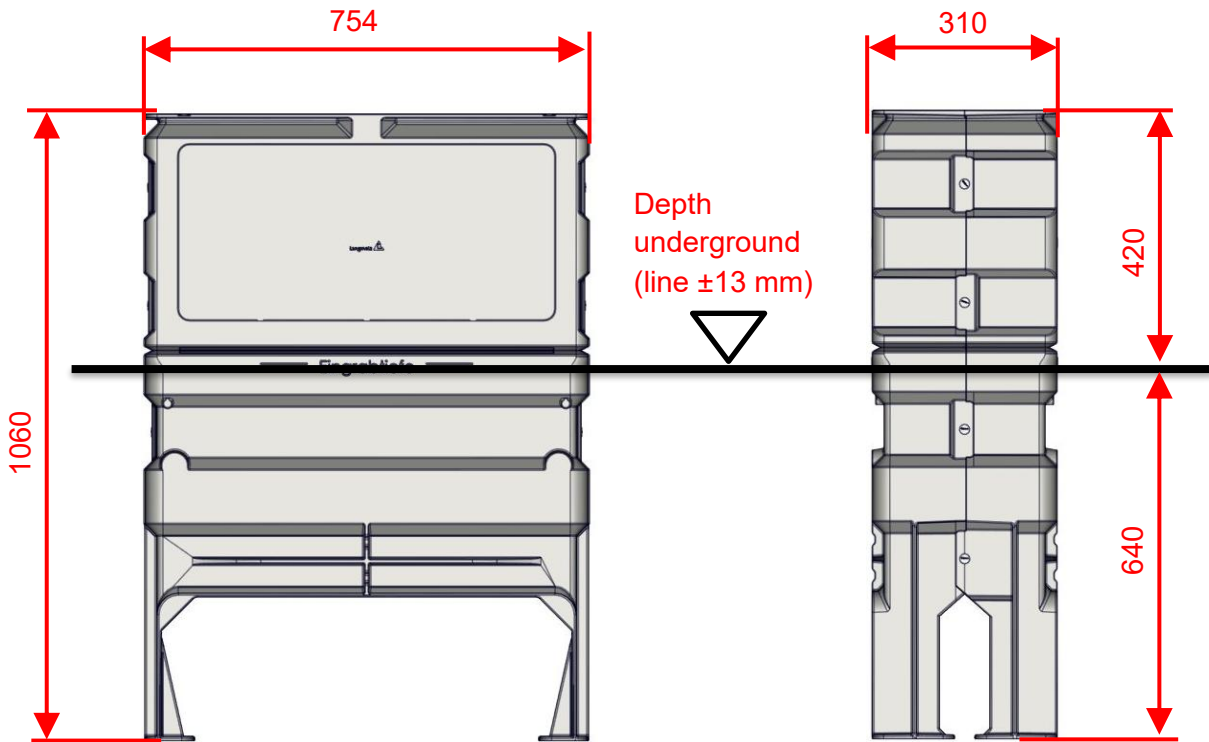


Fig. 1

Fig. 2

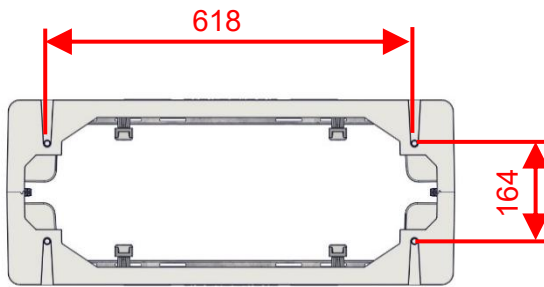


Fig. 3

3.2 Technical data

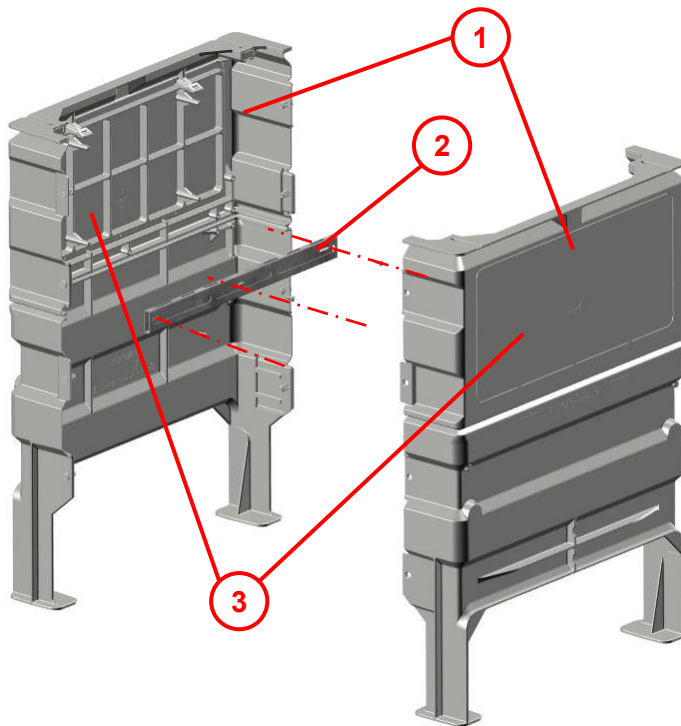
W x H x D: 754 x 1060 x 310 mm

Material of cabinet with base plate: polycarbonate (PC)

Resistance: UV and weather-resistant, self-extinguishing, environmentally-friendly plastic, recyclable

Colour: colour depends on the version delivered - cabinet body coated with an environmentally-friendly paint

4 Scope of delivery



Item 1 2x pedestal halves.

Item 2 2x strain relief rails.

Item 3 2x flaps for pedestal halves.

Not shown:

1x accessories kit with mounting material.

Fig. 4

5 Required tools

(not included)



Fig. 5

Hammer
(when building over cables)



Fig. 6

Screwdriver
(to open the flap)



Fig. 7

Torx
screwdriver 25 (to fit the
predetermined breaking point
connecting plates once punched
through)



Fig. 8

File (to install the new lower part of
the cabinet)



Fig. 9

Chisel
(to install the new lower part of the cabinet)

6 Installation

6.1 Digging the foundation pit

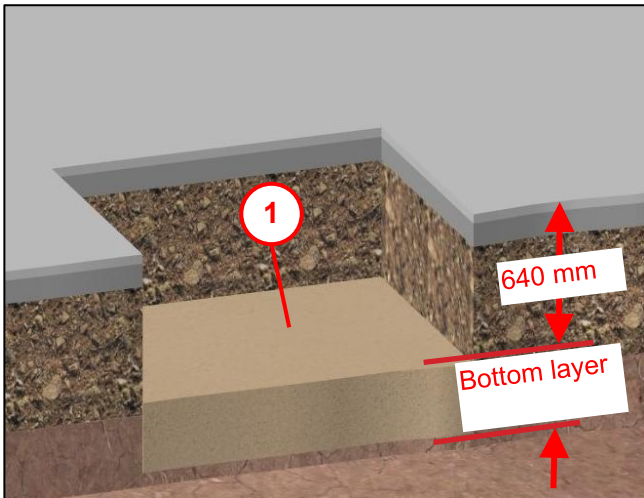


Fig. 10

- Ensure that the position and depth of the foundation pit base matches the installation situation.
- Pay attention to the “Installation depth” mark on the pedestal!
- Layer and compact the underfill/bottom layer **(1)**.
 - With “heavy soils”:
compressed bed of sand/gravel.
 - With “light soils”:
bed of lean concrete.

6.2 Inserting the pedestal

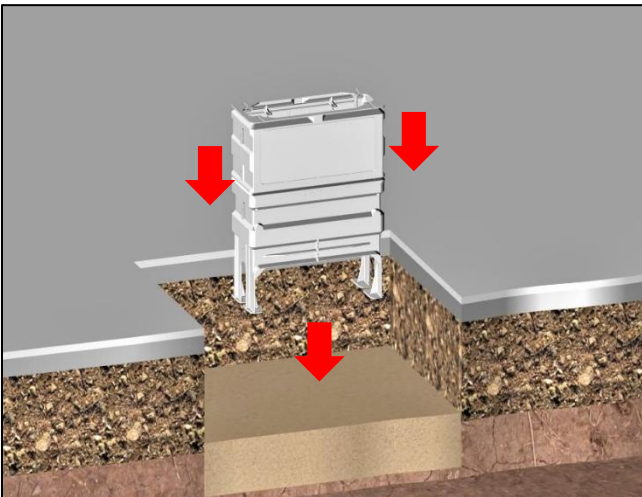


Fig. 11

- Place the pedestal on the base of the foundation pit.
- The mark must be level with the ground.

6.3 Inserting the pipe bundles/cables

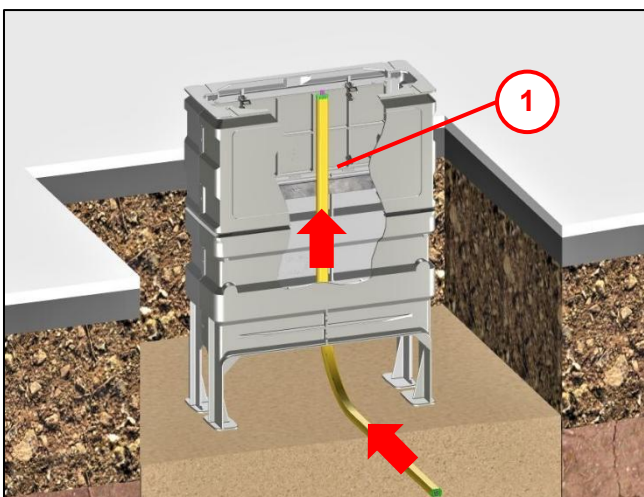


Fig. 12

- Guide the required number of pipe bundles/cables **(1)** into the pedestal.

6.4 Backfilling the foundation pit

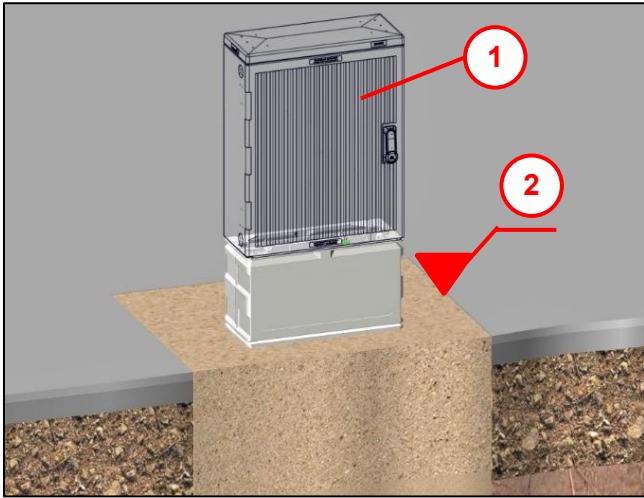


Fig. 13

- Backfill the foundation pit with compactable material **(2)** up to the top layer and then compress.
- For installation of the cabinet **(1)**, refer to the installation instructions for [fibre distribution cabinet 3.0](#)

7 Installation of the predetermined breaking point retrofit kit

- after the predetermined breaking point on pedestal EK265 has been breached -

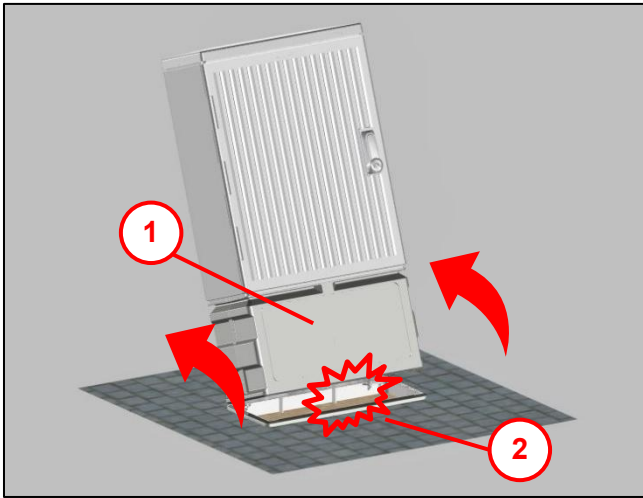


Fig. 14

- Breached predetermined breaking point **(2)** following overloading.
- The pedestal **(1)** can be repaired with a retrofit kit.

Order from Langmatz
(see section 14 Contact).

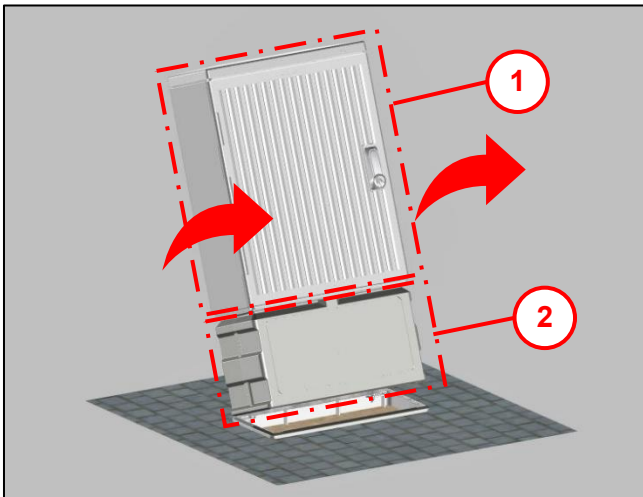


Fig. 15

- Return the pedestal with cabinet to its upright position.

If the predetermined breaking point has broken completely, a cabinet **(1)** and a pedestal top part **(2)** can be reordered from Langmatz (see section 14 Contact).

7.1 Opening the front plate

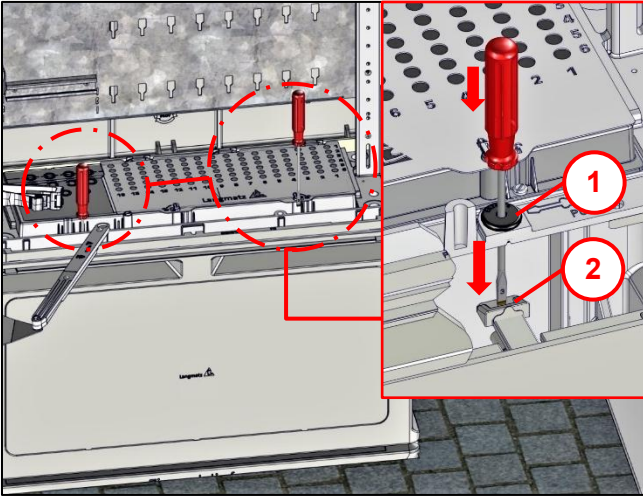


Fig. 16

- Insert the screwdriver through the grommet (1) as far as the snap-in hook (2) and press it down.

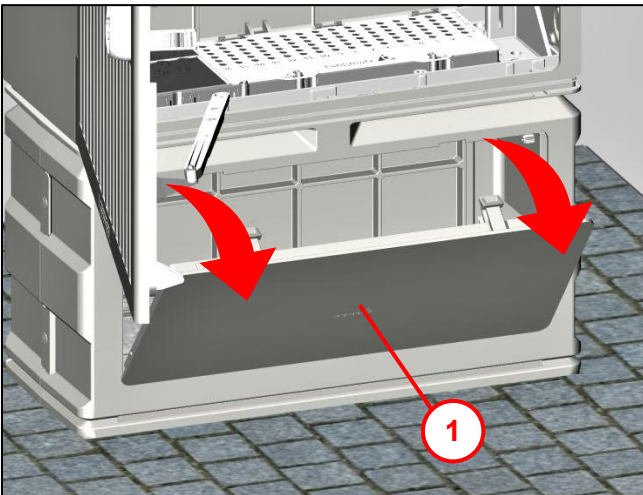


Fig. 17

- Swivel out the front plate (1) and remove.

7.2 Installation of the predetermined breaking point connecting plate

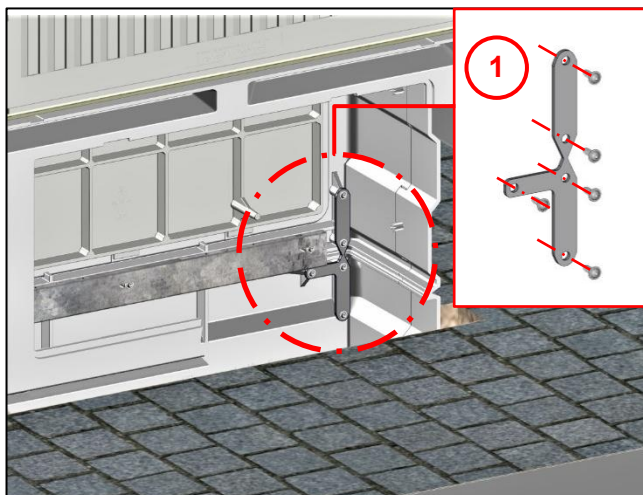


Fig. 18

- Fit 4x predetermined breaking point connecting plates (1) at the drill holes provided using the screws supplied.

The predetermined breaking point function has been restored.

8 Order data and accessories

See Product Catalogue for Outdoor Cabinets and Outdoor Pedestals:

<https://langmatz.de/produktgruppe/outdoor-gehäuse-und-outdoor-socket/>

9 Material defects

Langmatz GmbH accepts liability for material defects in the product as per Section 434 BGB (German Civil Code) for 24 months, starting from the date on the purchase receipt.

Within the scope of liability, all parts that become damaged due to manufacturing faults or material defects will be replaced or repaired free of charge.

The purchaser must report any deficiency complaints immediately in writing.

Claims by the purchaser for damages due to material defects or for whatever legal reason will not be accepted.

Any damage or failure caused by the following are also excluded from liability

- Incorrect use,
- Natural wear and tear,
- Intervention by third parties.

We accept no liability for damage caused by force majeure or transport.

Repairs due to a complaint about a defect do not extend the warranty period for the replaced parts or for the product.

This product conforms to the latest state-of-the-art technology. Nevertheless, if you experience any problems with it, please contact our hotline (section 13).

10 Recycling

The materials mainly used for the pedestal are polycarbonate and ABS and are fully recyclable.

11 Cleaning, repainting

Cabinets with normal levels of dirt can be cleaned with standard household cleaning agents.

Cabinets can be coated with a two-component paint on site. Air drying time: 8 hours/20 °C.

12 Quality management

Langmatz GmbH quality management system is certified according to DIN EN ISO 9001.

13 Disclaimer/Warranty

The information in this technical document is presented appropriately and correctly in compliance with the technical regulations, and to the best of our knowledge. However, this does not confer any guarantee of particular properties. In this context, the operator of the Langmatz GmbH products is expressly obliged to decide, based on their own judgement, whether the products are suitable and appropriate for the application or use being considered. The product liability accepted by Langmatz GmbH relates exclusively to our conditions of sale, delivery, and payment. Langmatz GmbH accepts no liability on the basis of random, indirect and resultant consequential damage, or of any damage attributable to any use of the product other than its intended purpose as described.

14 Contact

Langmatz GmbH | Am Gschwend 10
82467 Garmisch-Partenkirchen, Germany

Our hotline: +49 88 21 920 – 137

Phone: +49 8821 920 – 0

Email: info@langmatz.de | www.langmatz.de

