





Installation Instructions

Strain relief plate for Gf-AP M, M+, and L

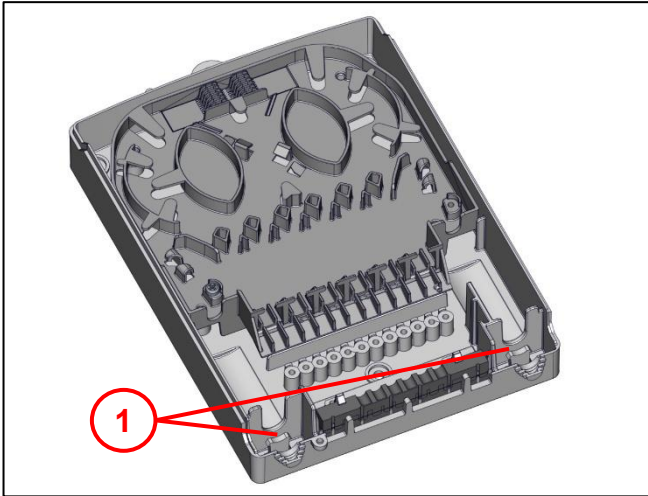
1 Scope of delivery

Dependent on the scope of delivery.

Art. no.	Description	Figure	Packaging unit
06 440 0504	Strain relief panel for micro-duct pipe Ø 5 mm for ONT M & M+ & L		10x
06 440 0505	Strain relief panel for micro-duct pipe Ø 7 mm for ONT M & M+ & L		10x
06 440 0506	Strain relief panel for micro-duct pipe Ø 10 mm for ONT M & M+ & L		10x
06 440 0507	Strain relief panel for micro-duct pipe Ø 12 mm for ONT M & M+ & L		10x

2 Installation

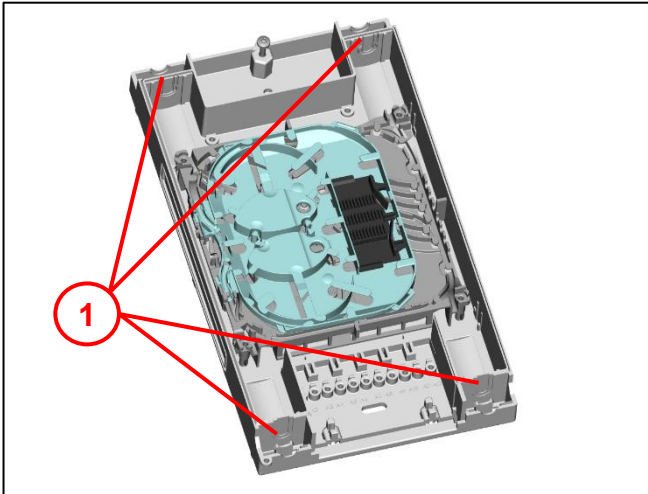
2.1 Installation points in the optical distribution and termination box M



2x feeders (1)

Fig. 1

2.2 Installation points in the optical distribution and termination box M+



4x feeders (1)

Fig. 2

2.3 Installation points in the optical distribution and termination box L

2x feeders (1)

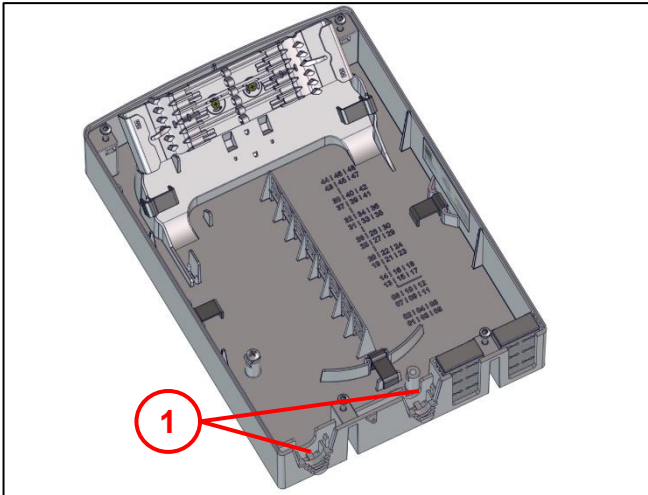
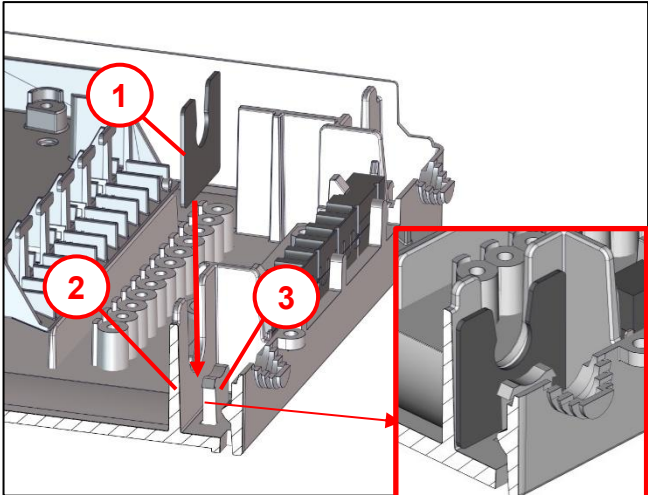


Fig. 3

2.4 Installing the strain relief panel

Installation is illustrated by way of example using the strain relief panel for micro-duct pipe Ø10 mm in the optical distribution and termination box M.



- Insert the strain relief panel (1) between the bar (2) and snap lug (3).

Fig. 4

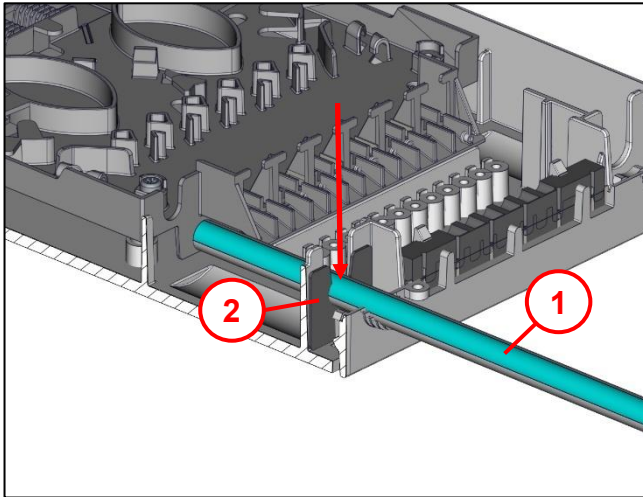


Fig. 5

- Press the micro-duct pipe (1) from above into the strain relief panel (2).
- Repeat this process at the required feeders.

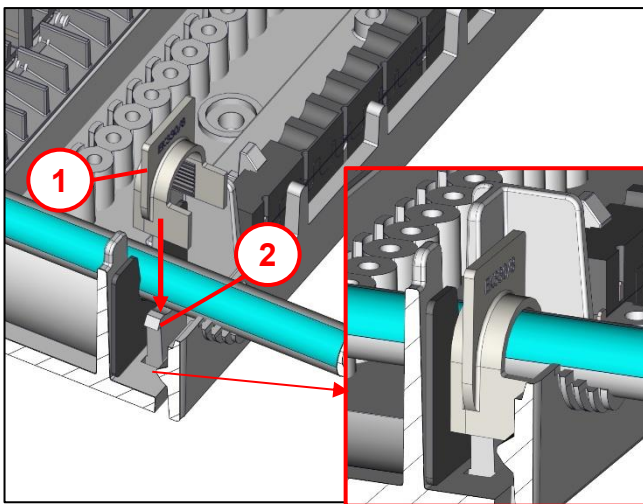


Fig. 6

- Press the down-holder (1) onto the snap lug (2) to fix the micro-duct pipe in place.

Contact

Langmatz GmbH | Am Gschwend 10
82467 Garmisch-Partenkirchen, Germany
Phone: +49 88 21 920 – 0
Email: info@langmatz.de | www.langmatz.de