

Installation Instructions

VarioPipe optical fibre building cable & pipe entry system –
may be built over –

For wall thicknesses from 200 mm

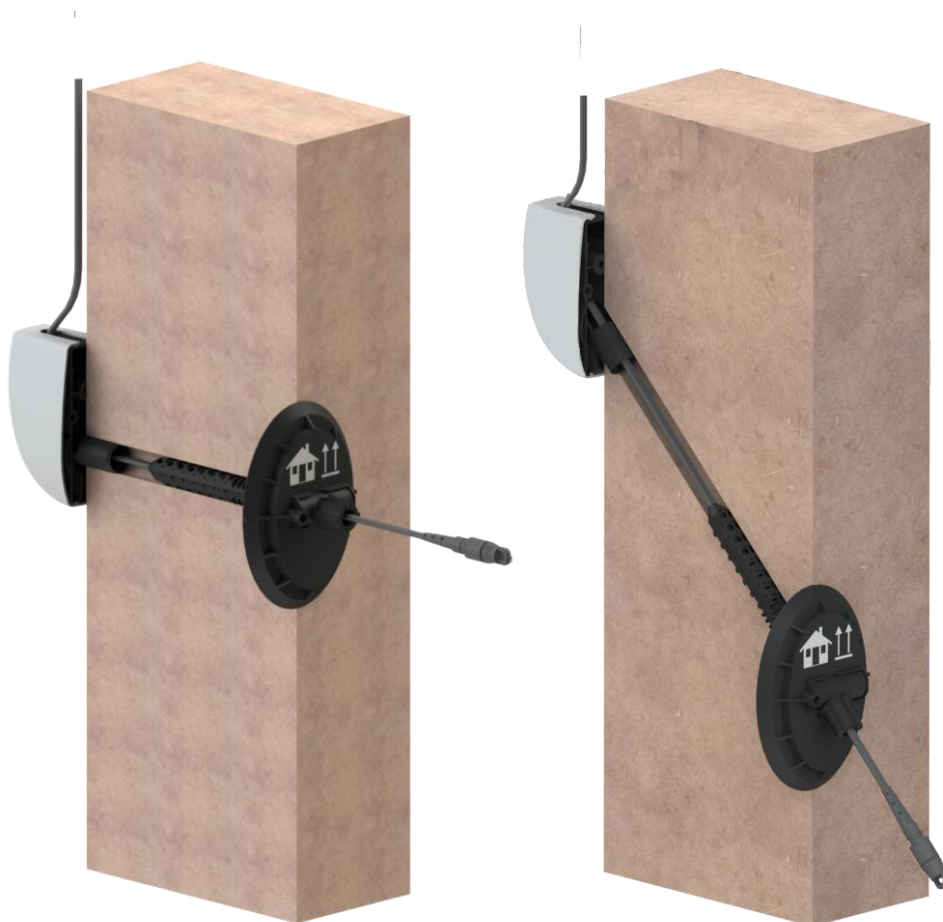
Core drill hole \varnothing 25

For media cables: 1x copper or optical fibre cable \varnothing 6–13 mm

1x SpeedNet pipe \varnothing 7–12 mm

1x oval cable 4/8 mm

1x cable with connector max. \varnothing 24 mm



1	General information	3
2	Safety information	3
3	Storage and working temperature of L100 sealing foam.....	3
4	Product description	4
4.1	Installation options	4
4.2	Dimensions	4
5	Package includes.....	5
6	Required tools.....	5
7	Installation.....	6
7.1	Drill hole	6
7.2	Installation on the outside of the building	7
7.3	Installation on the inside of the building	8
7.4	Injecting the sealing foam	9
7.5	Continued routing of the media cable	10
7.6	Attaching the cover	11
8	Material defects.....	12
9	Quality management.....	12
10	Disclaimer/Warranty.....	12
11	Disposal	12
12	Safety information for L100 sealing foam.....	13
13	Contact	13

1 General information

These instructions are supplied with the equipment.



Note!

Any person involved in the installation, operation and repair of the product must first read, understand and follow these instructions. We accept no liability for damage and operating malfunctions caused by failure to comply with these instructions.

In the interest of further development, we reserve the right to change individual assemblies and accessories as considered necessary for enhanced safety and performance improvements, while preserving the main features.

The copyright to these instructions remains with Langmatz GmbH.

2 Safety information

The product complies with the state-of-the-art technology at the time of printing and is delivered in an operationally safe condition.

Unauthorised modifications, particularly to safety-related parts, are prohibited. Langmatz GmbH warns against the misuse of the product.

The operating company is responsible for installing, operating and maintaining the fixtures.

The operating company is responsible for the following:

- Preventing danger to the life and limb of users and third parties.
- Ensuring safe operation.
- Preventing downtime and environmental impact due to incorrect handling.
- Ensuring that protective clothing is worn when working with or on the product.



It is forbidden to use the product if it is damaged. Please contact the hotline (see section 13 Contact).



Note!

Comply with applicable occupational safety and environmental protection regulations during installation, operation, maintenance, and repair.



Warning!

Note the following when using L100 sealing foam:

As from 24/08/2023, appropriate training must be given before industrial or commercial use – for link, see cartridge imprint or section 12.

In general, the safety instructions on the cartridge must be observed!

3 Storage and working temperature of L100 sealing foam

Store the cartridge in a dry and well ventilated place, protected from moisture.

Working temperature:	+5°C to +40°C (optimum +10 to +25°C)
Storage temperature:	+5°C to +40°C

4 Product description

The building cable & pipe entry system is used for the gas- and water-tight sealing of copper or optical fibre cables inserted into buildings and can be used for wall thicknesses from 200 mm.

Properties:

- Gas- and water-tight to 1 bar | Water impact class to DIN 18533 W1.1-E / W1.2-E / W2.1-E
- Waterproof concrete stress class 1 to DAfStb 2017
- Waterproof concrete stress class 2 to DAfStb 2017

4.1 Installation options

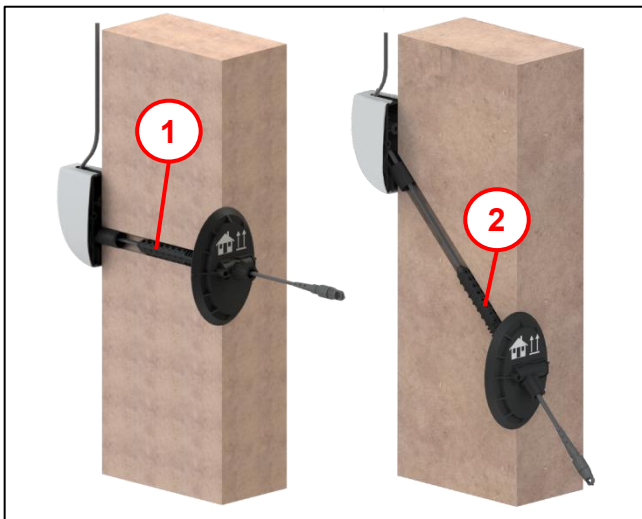


Fig. 1

The system can be installed straight at 90° **(1)** or inclined **(2)** up to 45° upwards. Installation is identical in both cases.

Straight installation is illustrated in these instructions.

4.2 Dimensions

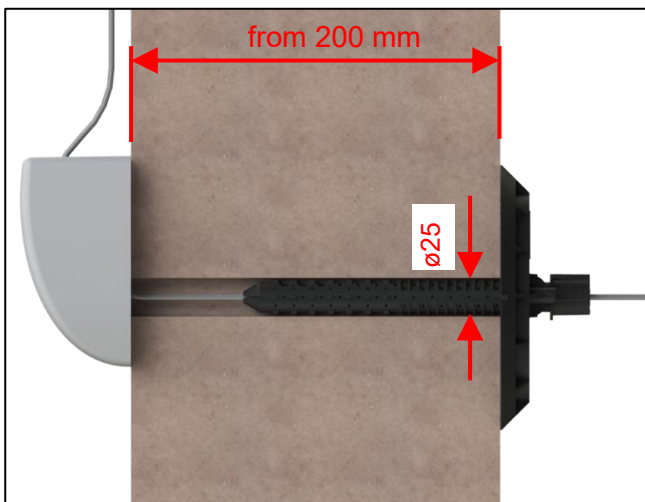


Fig. 2

- For wall thicknesses from 200 mm
- Core hole \varnothing 25 mm

5 Package includes

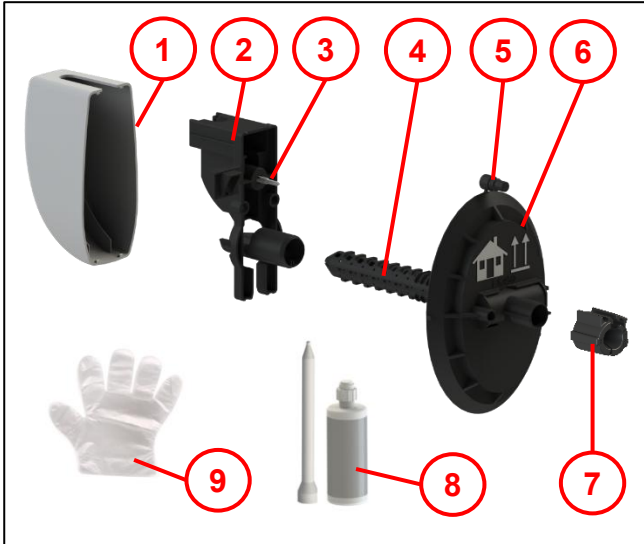


Fig. 3

- Item 1** Cover
- Item 2** Routing element that can be built over
- Item 3** Dowel nail 6 x 40 mm
- Item 4** Foam pipe
- Item 5** Dust protection for SpeedNet pipe
- Item 6** Outside flange
- Item 7** Open seal
- Item 8** L100 sealing foam cartridge and mixing pipe
- Item 9** Work gloves

6 Required tools

Not shown:

- Rubber mallet
- Phillips screwdriver
- Drill \varnothing 25 mm
- Pozidriv size 2

2-part cartridge gun
e.g. Ponal PPGUN



Fig. 4

e.g. Ponal PP 6

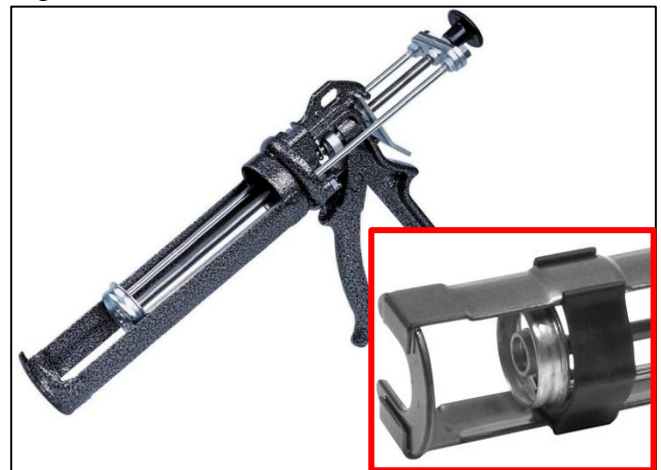


Fig. 5

7 Installation

7.1 Drill hole

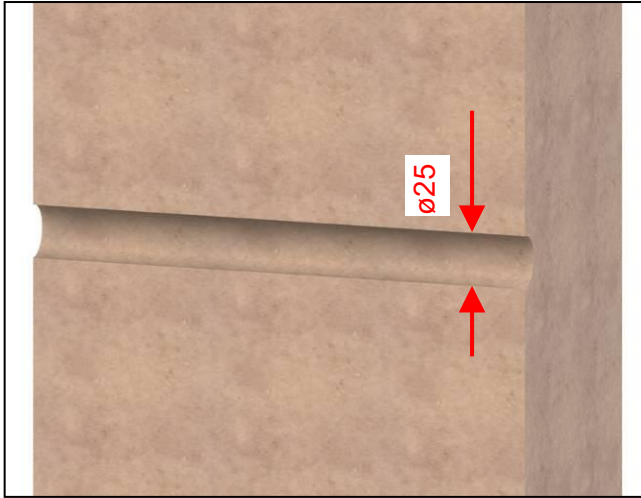


Fig. 6

- The substrate must be clean, largely dry, free of dust and grease, and there should be no standing water.
- Drill a \varnothing 25 mm hole from the inside to the outside.
- At the drill exit point (if present), cut out and remove thermal insulation (polystyrene or rigid foam panels) including any dimpled sheet that may be present.
- **Caution!**
Even out any uneven exterior masonry around the contact surface of the outside flange by sanding or with quick-setting mortar.
Ensure that the entire surface of the outside flange can be in contact.
- Restore plaster chipping or spalling of > 50 mm as well as damaged bitumen coatings in “tanked walls” that are not covered completely by the outside flange of the building cable & pipe entry system. The bitumen coating must be touched up in accordance with DIN 18533. Ensure a seamless join to the existing coating.

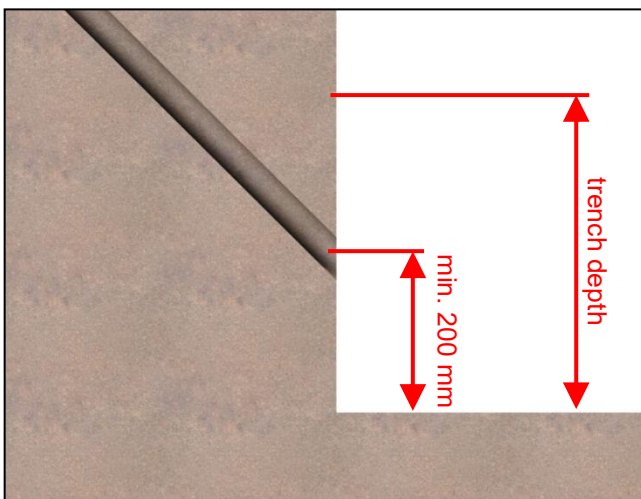


Fig. 7

Note for inclined installation:

Trench depth = wall hole exit + 200 mm.
This clearance is needed for installation.

7.2 Installation on the outside of the building

(illustrated by media cable with connector)

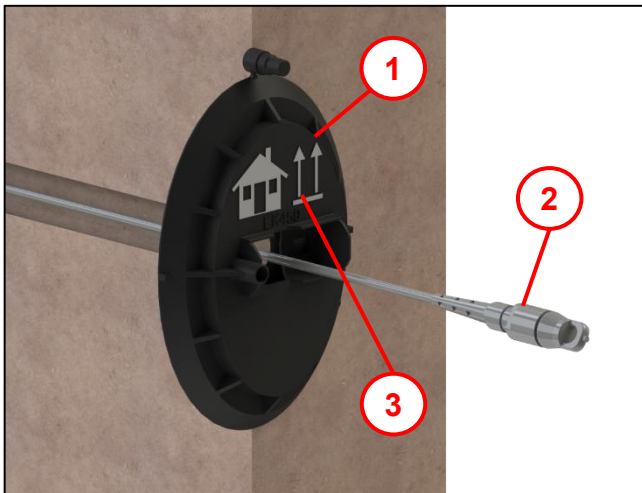


Fig. 8

- Push the media cable (2) from the inside through the drill hole.
- Push the outside flange (1) over the media cable.

Note:

When inserting the outside flange, pay attention to the direction of installation: fit with the “arrows pointing up” (3).

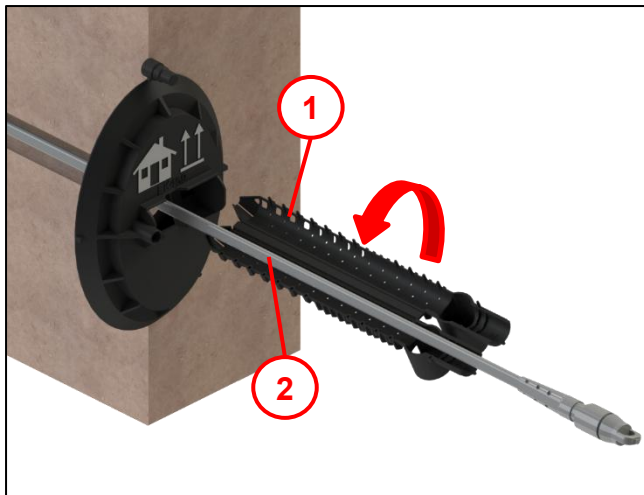


Fig. 9

- Attach the foam pipe (1) to the media cable (2) and close.

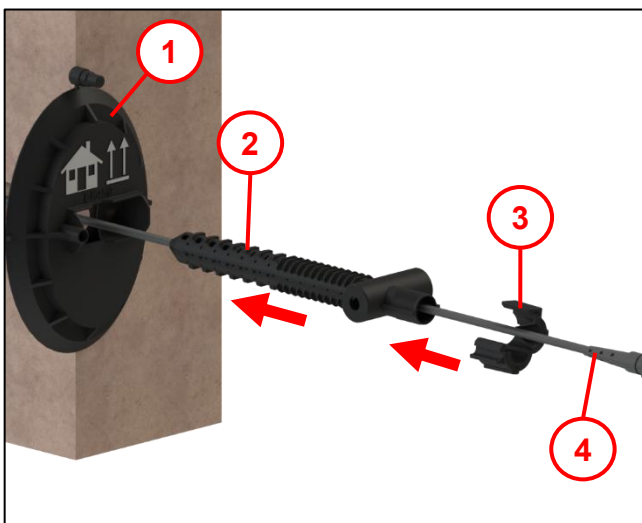


Fig. 10

- Attach the seal (3) to the media cable (4) and close.
- Push the seal onto the foam pipe (2).
- Insert the foam pipe with seal into the outside flange (1).
- Carefully tap the outside flange, foam pipe and seal in using a rubber mallet (take care with the cable!).

7.3 Installation on the inside of the building

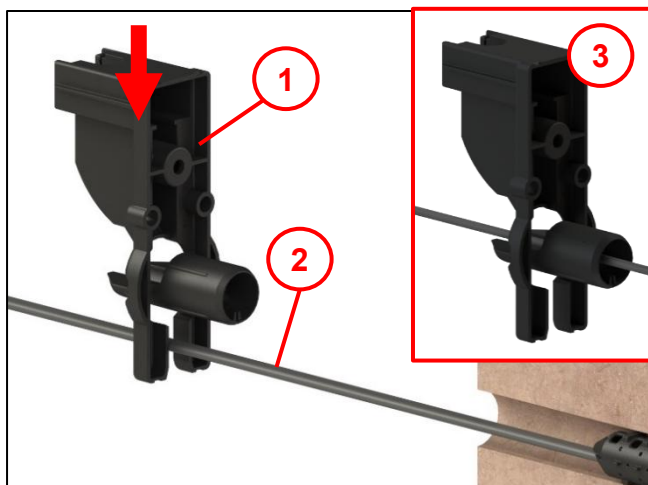


Fig. 11

- Attach the routing element (1) to the media cable (2) and click into place downwards (3).

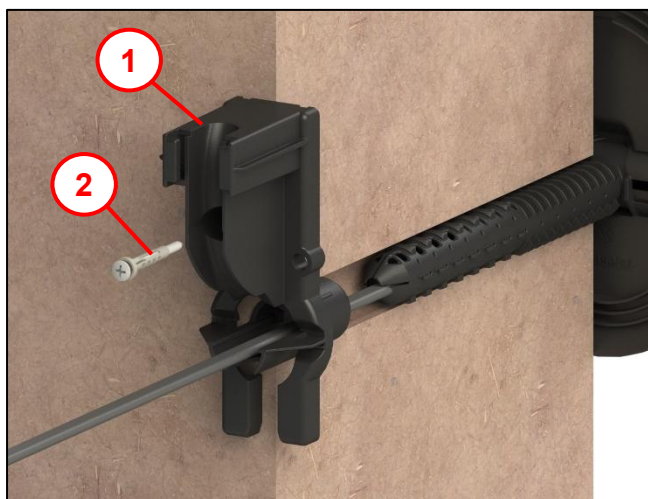


Fig. 12

- Position the routing element (1) at the hole and drive in until the base plate is in contact with the wall.
- Drill a hole $\varnothing 6$ at least 50 mm deep. Drive the dowel nail 6x4 mm (2) into the wall and tighten.

7.4 Injecting the sealing foam

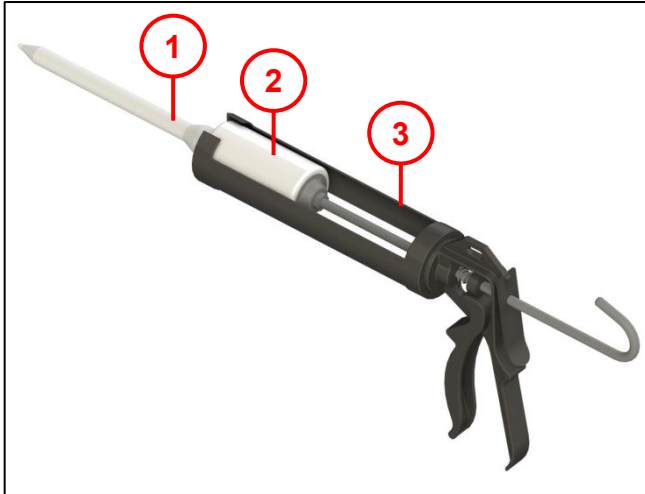


Fig. 13

Note:

- Reconfiguration is no longer possible after filling with foam!
- A **2-parts cartridge gun** must be used for the cartridge (2).

Note the expiry date! Refer to the cartridge label.

- Put on work gloves.
- Place the cartridge (2) into the 2-part cartridge gun (3).
- Screw on the mixing nozzle (1).



Fig. 14

- Insert the mixing nozzle (1) into the backfill opening (2).
- Inject the L100 sealing foam and always **empty the cartridge completely**.
- Leave the mixing nozzle with cartridge in the backfill opening for a few minutes (for disposal, see section 11).

7.5 Continued routing of the media cable

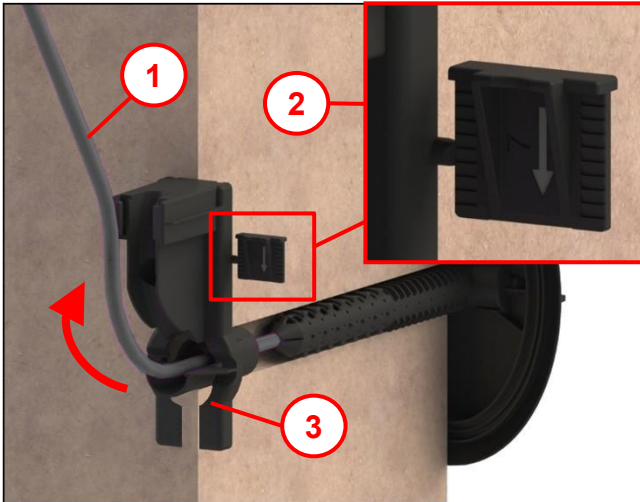


Fig. 15

- Guide the media cable (1) over the routing element (3) to the wall.
- Remove the wedge (2) from the routing element.

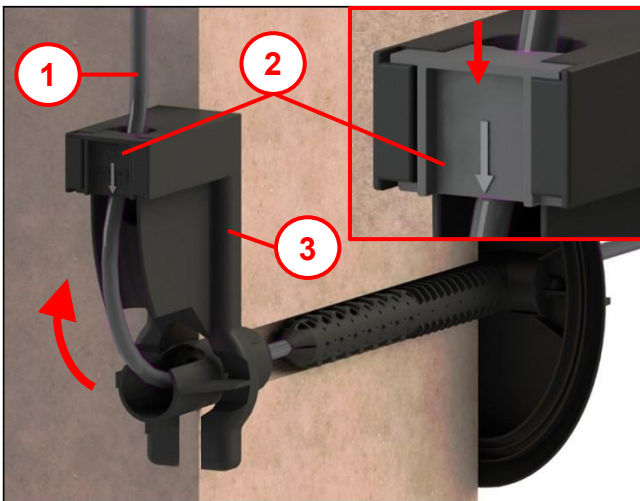


Fig. 16

- Secure the media cable (1) with the wedge (2).
 - Insert the wedge into the routing element (3) from above.
- Caution:**
Pay attention to the direction of installation of the wedge, see Fig. 17.

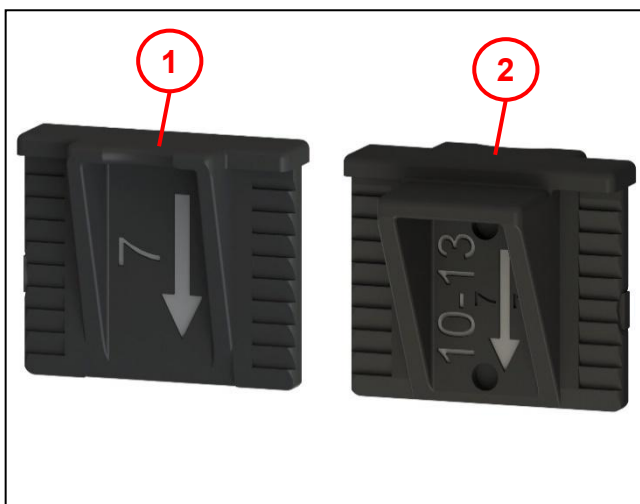
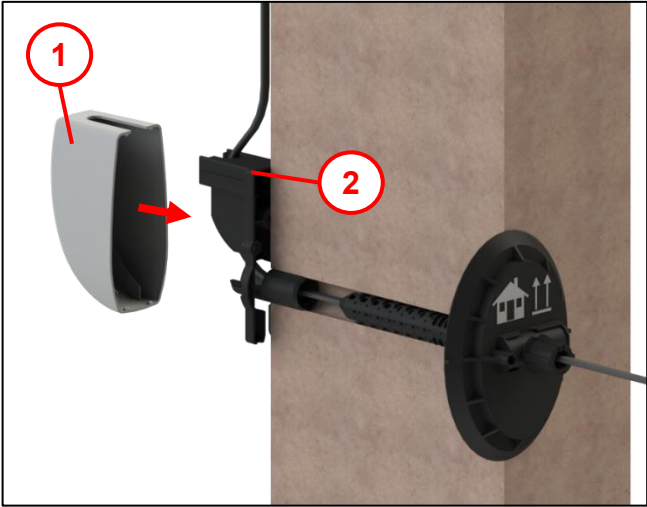


Fig. 17

Item 1 For media cables \varnothing 4-7 mm

Item 2 For media cables \varnothing 10-13 mm

7.6 Attaching the cover



- Place the cover (1) on the routing element (2).

Fig. 18

8 Material defects

Langmatz GmbH assumes liability for material defects in the product for 24 months as per Section 434 BGB (German Civil Code), starting from the date on the purchase receipt.

Within the scope of liability, all parts that become damaged due to manufacturing faults or material defects will be replaced or repaired free of charge.

The purchaser must report any deficiency complaints immediately in writing.

Claims by the purchaser for damage due to material defects or for whatever legal reason will not be accepted.

Any damage or failure caused by the following are also excluded from liability

- Incorrect use,
- Natural wear and tear
- Intervention by third parties.

We accept no liability for damage caused by force majeure or transport.

Repairs due to a deficiency complaint do not extend the warranty period for the replaced parts or the product.

This product conforms to the latest state-of-the-art technology. Nevertheless, if you experience any problems with it, please contact our hotline (see section 13 Contact).

9 Quality management

The Langmatz GmbH quality management system is certified to DIN EN ISO 9001.

10 Disclaimer/Warranty

The information in this technical document is presented appropriately and correctly in compliance with the technical regulations, and to the best of our knowledge. However, this does not confer any guarantee of particular characteristics. In this context, the company that operates the products supplied by Langmatz GmbH is expressly obliged to decide whether the products are suitable and appropriate for the application or use being considered based on its own judgement. The product liability accepted by Langmatz GmbH relates exclusively to our conditions of sale, delivery, and payment. Langmatz GmbH accepts no liability on the basis of random, indirect and resultant consequential damage, or of any damage attributable to any use of the product other than its intended purpose as described.

11 Disposal

Dispose of the contents and containers in accordance with all local, regional, national and international laws.

12 Safety information for L100 sealing foam



Isocyanate training

<https://isopa-aisbl.idloom.events/048-de>

T048: 048 Professional application of adhesives and sealants
/ Small packaging at ambient temperature



Safety information sheet

<https://www.g-wa.net/doku/Dichtschaum%20L%20100>

13 Contact

Langmatz GmbH | Am Gschwend 10
82467 Garmisch-Partenkirchen, Germany
Our hotline: +49 88 21 920 – 137
Phone: +49 88 21 920 – 0
E-mail: info@langmatz.de | www.langmatz.de